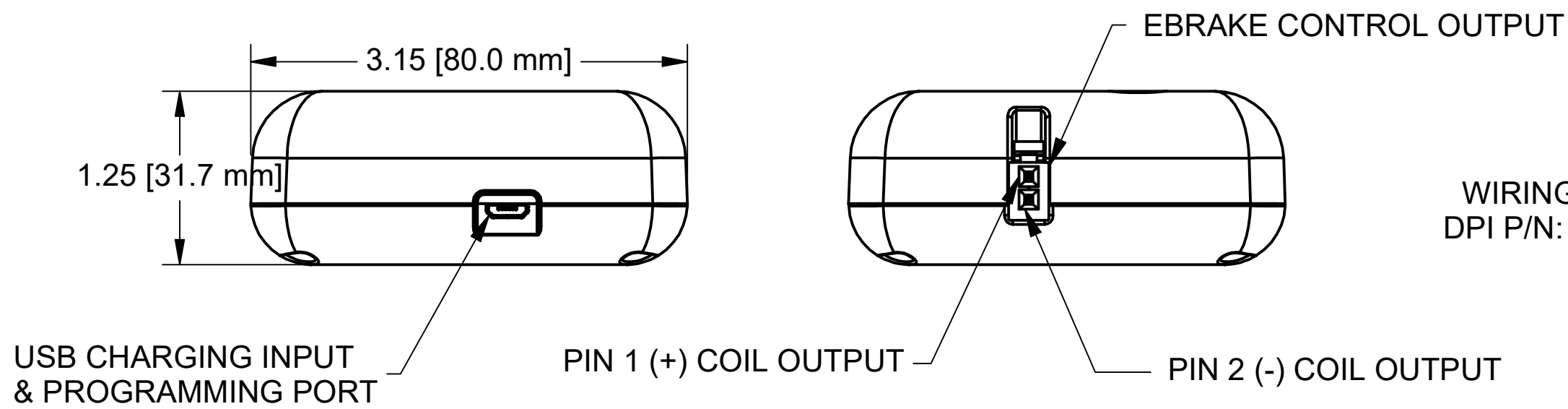
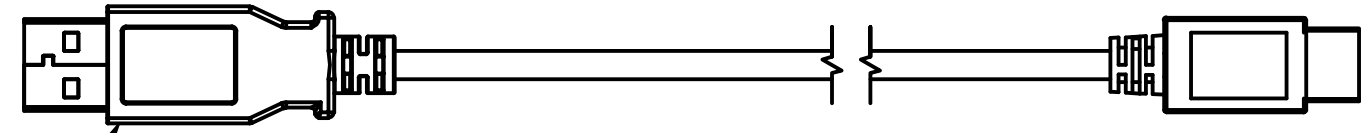
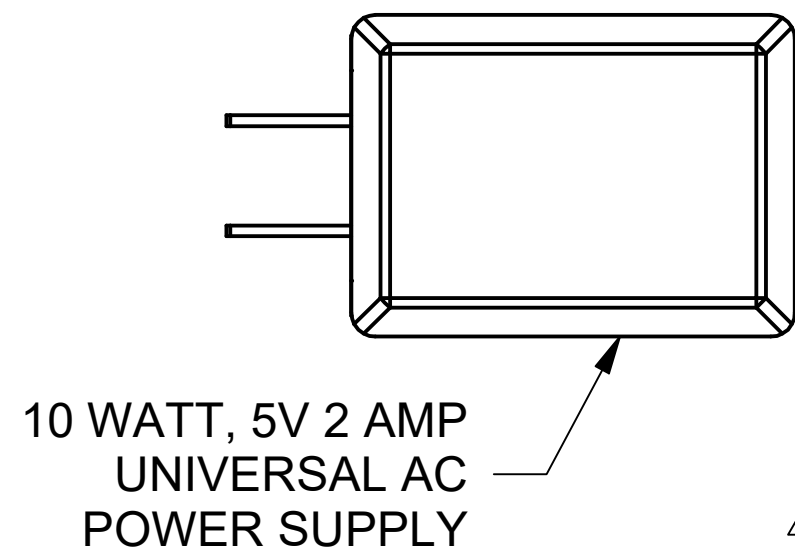
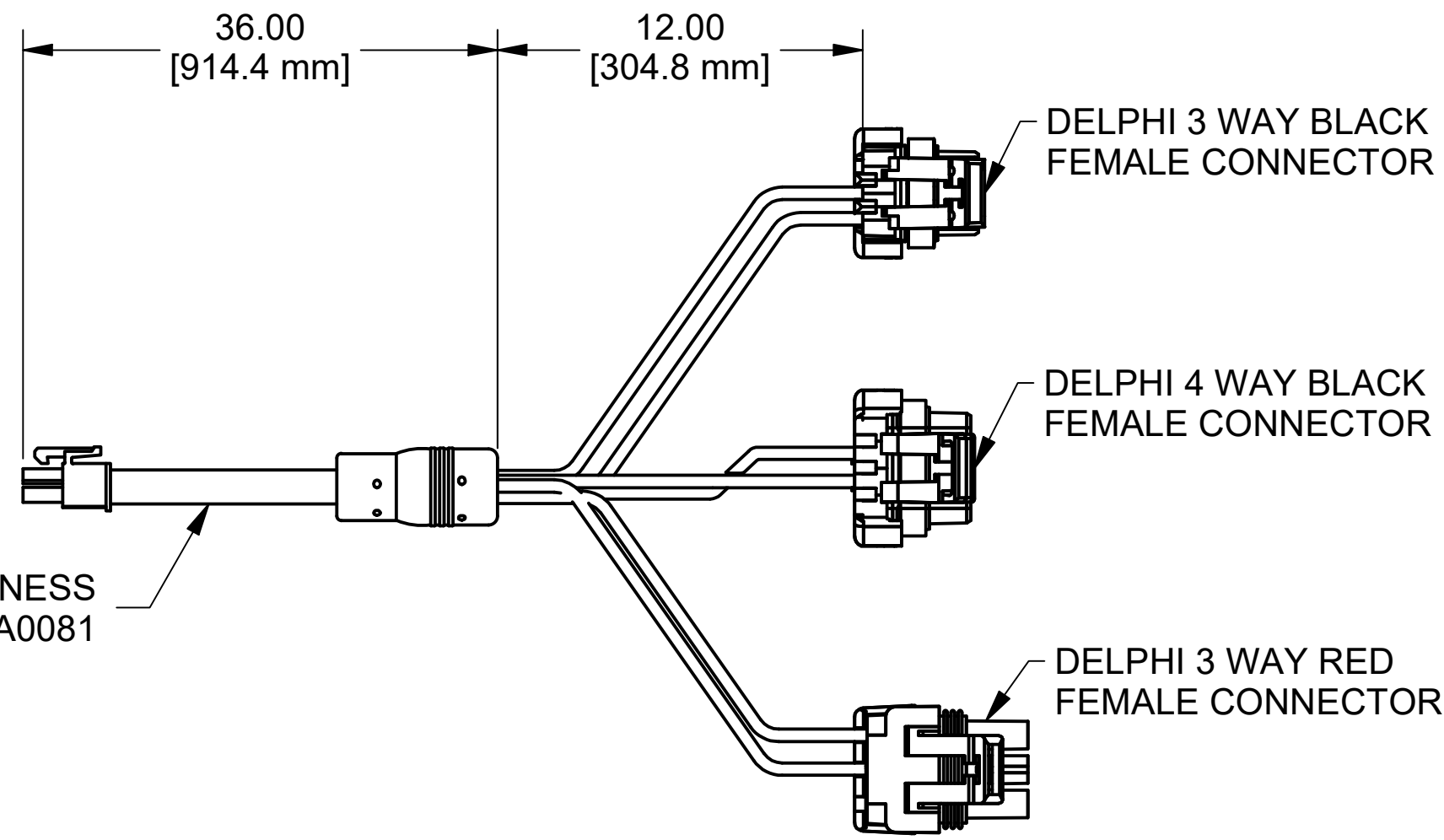


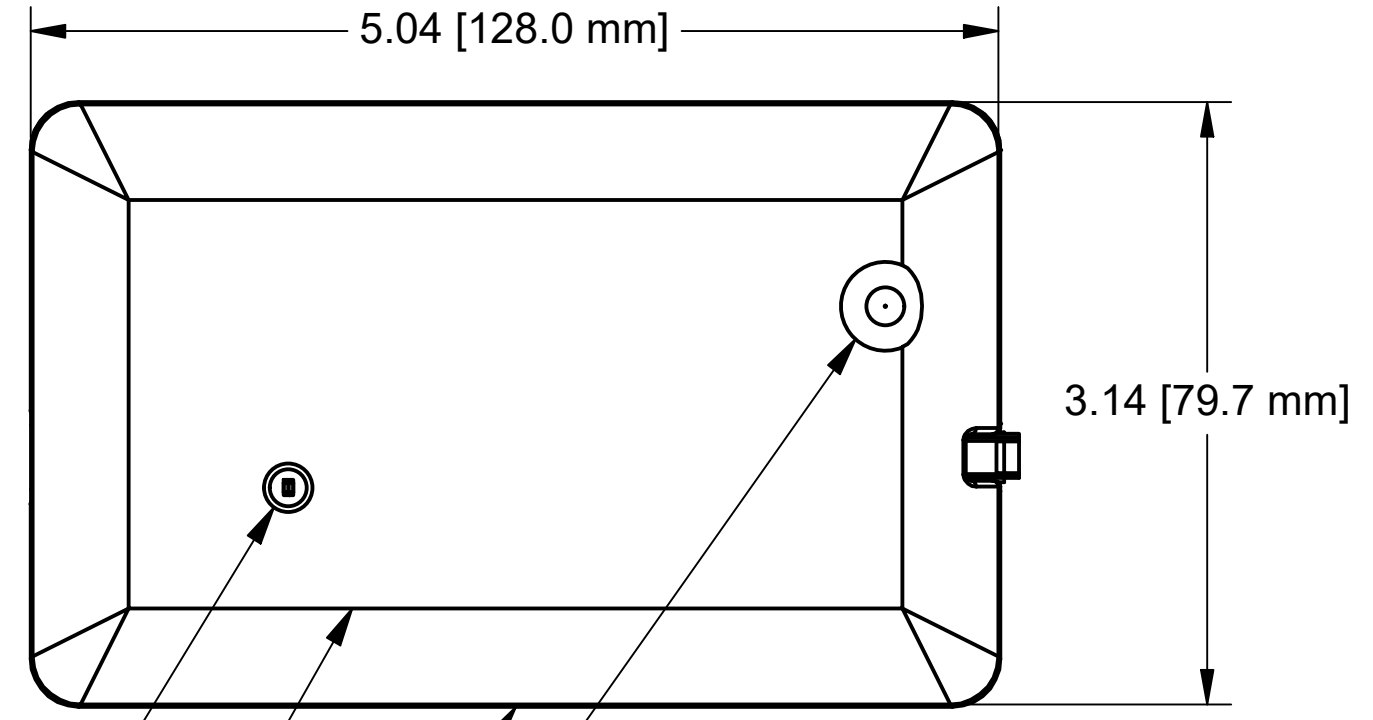
REV	DESCRIPTION	APPROVED	DATE
1	ADDED FIRMWARE	TDT	11/15/2022



WIRING HARNESS
DPI P/N: WRHA0081



SPECIFICATION: UL 2464
CONDUCTOR: FINE STRANDS TINNED COPPER WIRE
INSULATION: SPECIAL PVC
TEMPERATURE RATING: UL 80°C, PASS VW-1 FLAME TESTING
VOLTAGE RATING: 300 VOLTS
AWG Size: 22 - 20 AWG PREFERRED
NOMINAL DIAMETER W/ INSULATION: 0.138
LENGTH: 1 METER

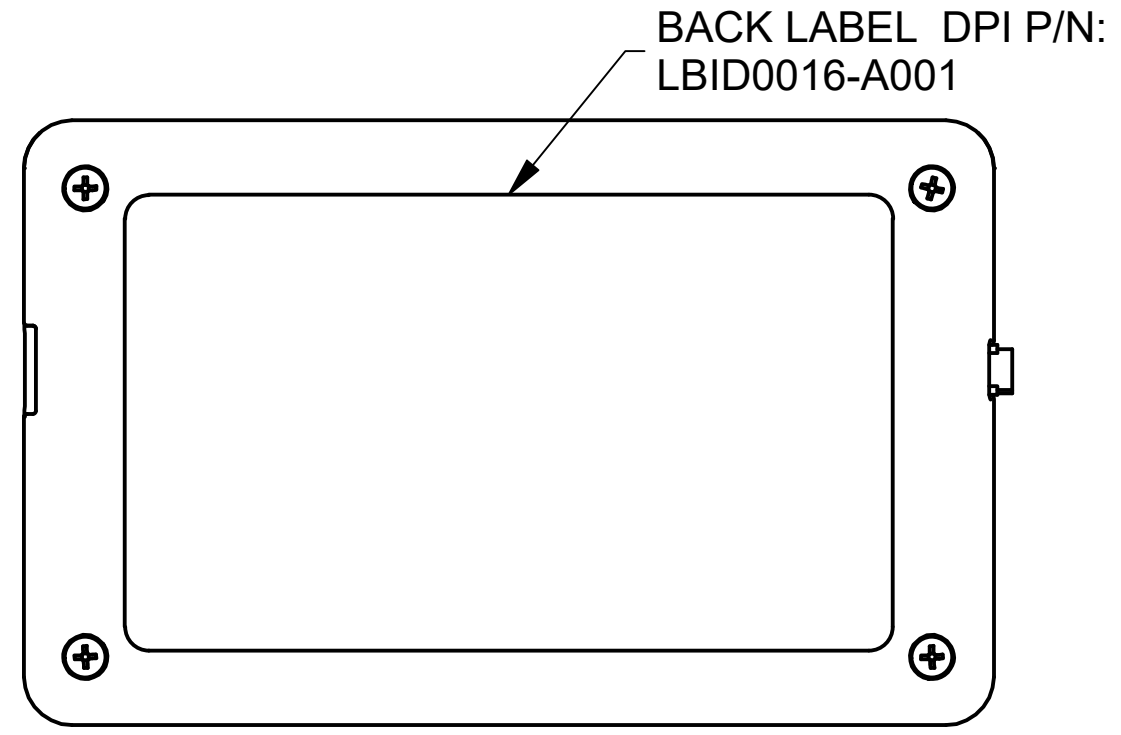


E STOP SWITCH

ABS MATERIAL: COLOR: PANTONE 1505 C.
WEIGHT: .520 LBS, .236 KG APPROX.

FRONT LABEL
DPI P/N: LBGR0070-A002

STATUS LED YELLOW/GREEN



BACK VIEW PS & WIRES NOT SHOWN

FIRMWARE: DPI-EBRAKE-A02
MANUAL: MNUL0048-A001

PROPRIETARY AND CONFIDENTIAL This document and the information contained within is the property of Diversified Power International L.L.C. (DPI) and it contains Confidential and Proprietary Information which may not be copied into or onto any other form or format, and may not be disclosed to any third party; and may not be used for any purpose that is contrary to its intended purpose and use without the express written consent of DPI.	TOLERANCES (UNLESS NOTED): (INCHES [MILLIMETERS]): 3 PLACES: ± .005 [.13MM] 2 PLACES: ± .03 [.76MM] ANGULAR: ± 1°	SIGNATURES DRAWN: LRB CHECKED: TAM APPROVED: TDT NEXT ASSY: N/A USED ON: N/A	DATE 10/24/2018 10/24/2018 10/24/2018	TITLE E-BRAKE PRODUCT SPEC.
	THIRD ANGLE PROJECTION 		DIVERSIFIED POWER INTERNATIONAL, LLC 414 CENTURY COURT PINEY FLATS, TN 37686 PHONE: 423-538-9002	SIZE C
	CAD DRAWING: DO NOT SCALE	SHEET 1 OF 1	DWG NO 56-EBRK12VP70-01	REV 1
	FIRMWARE: DPI-EBRAKE-A02 MANUAL: MNUL0048-A001		DIVERSIFIED POWER INTERNATIONAL, LLC 414 CENTURY COURT PINEY FLATS, TN 37686 PHONE: 423-538-9002	