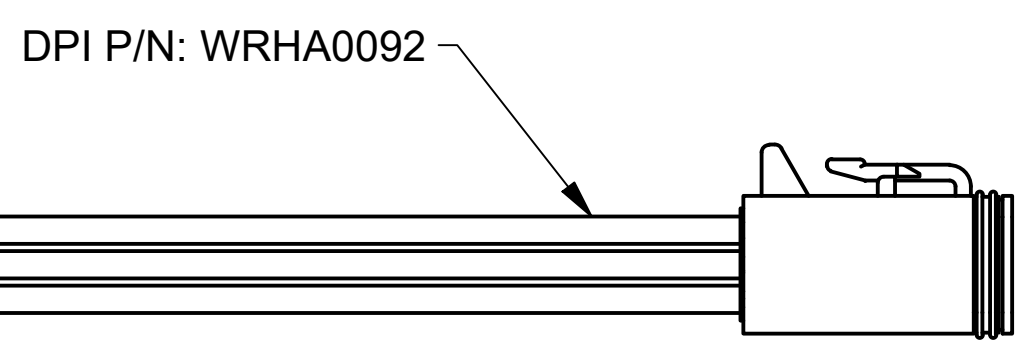
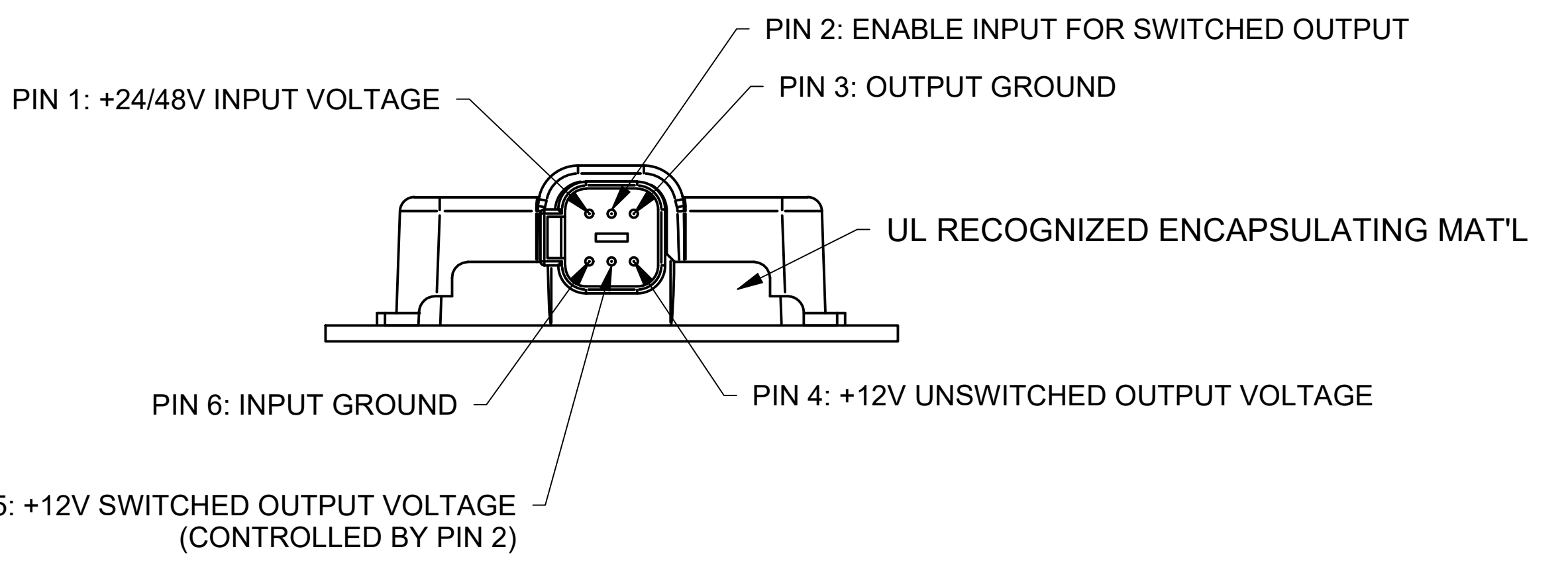
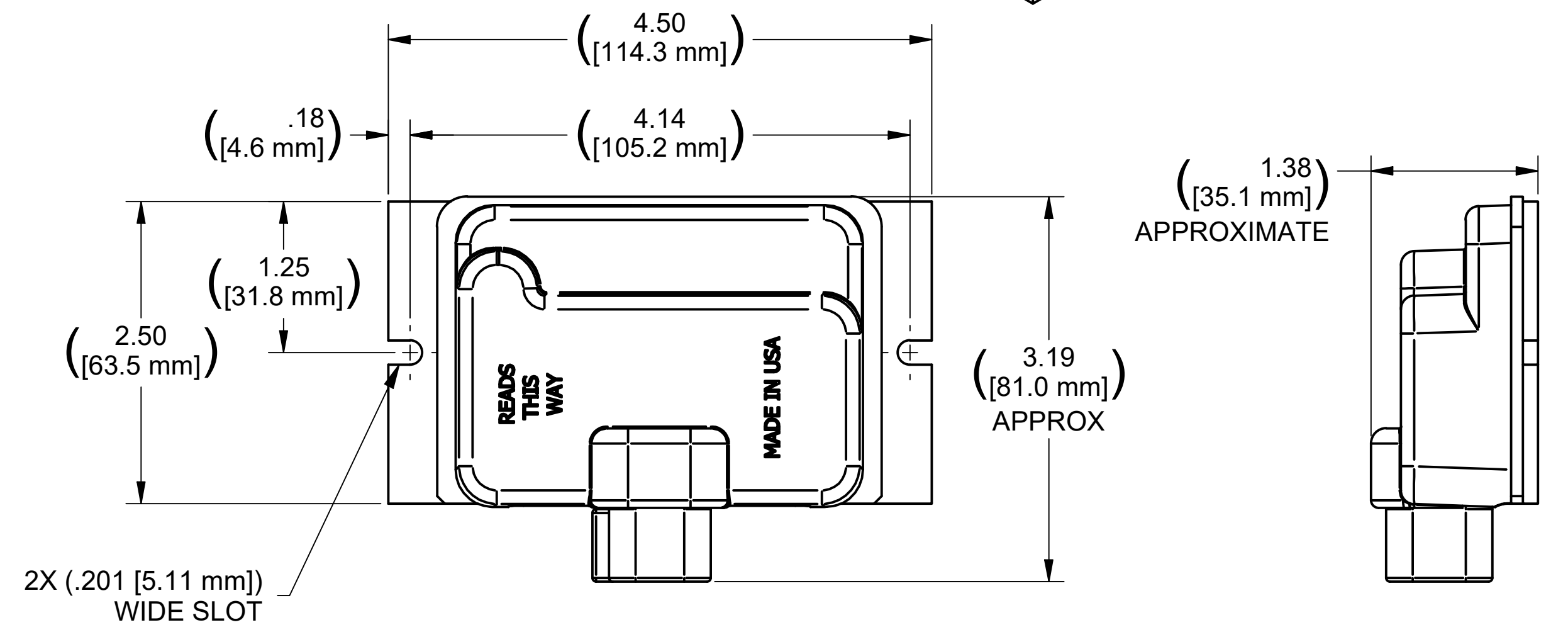
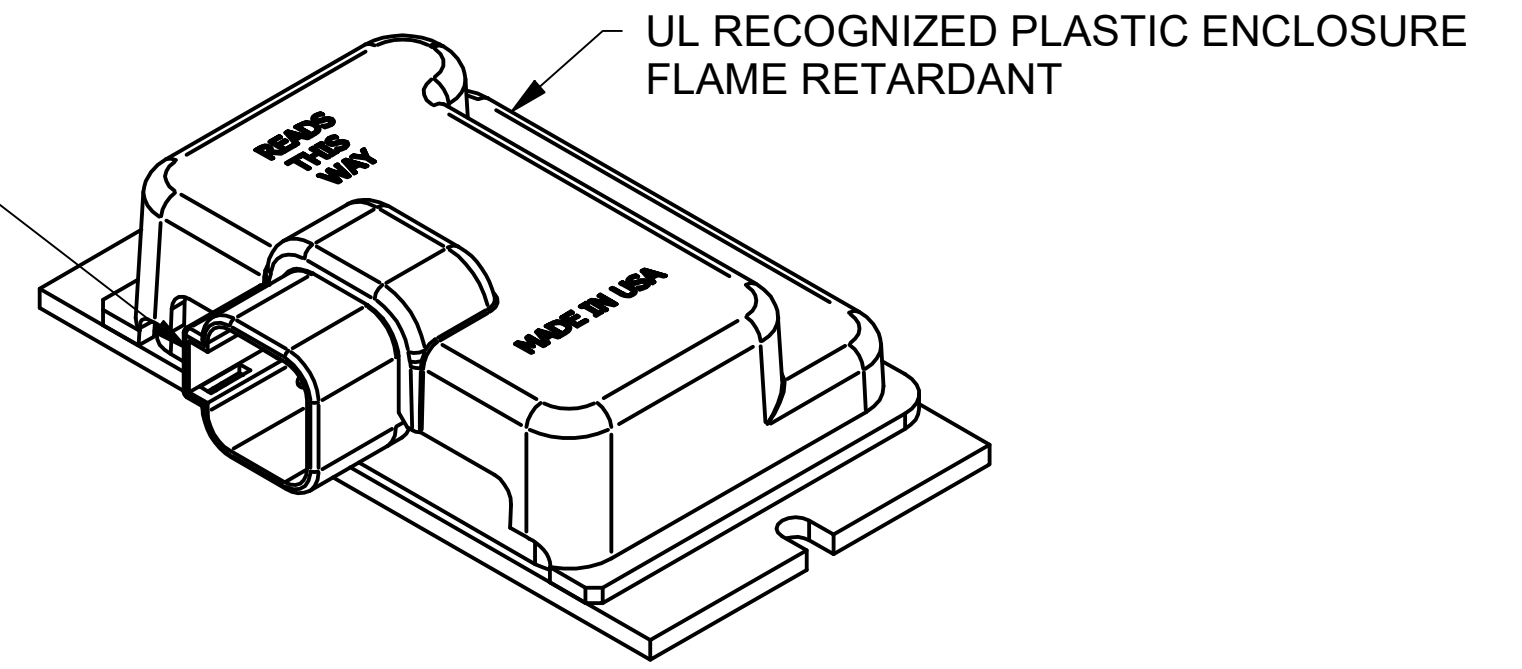


REV	REVISION DESCRIPTION	APPROVED	DATE
1	ADDED P/N & WIRING HARNESS	TDT	11/11/2020

NOTES:

- INPUT:**
 INPUT Vdc MIN: 19 - 20 Vdc
 INPUT Vdc MAX: 72 - 76 Vdc
 I/P CURRENT: 15.0 Adc - 4.0 Adc
- OUTPUT:**
 O/P VOLTAGE: 13.5 Vdc ± 5%
 EFFICIENCY: >95%.
 17Adc Cont @ 25°C.
 20Adc Cont @ 25°C WITH 40sq in HEATSINK.
 O/P PROTECTION: SHORT CIRCUIT / OVER CURRENT: 23 - 27 A
- CONTROL:**
 IGNITION KEY TURN ON: B+ (BATTERY POSITIVE)
- THERMAL PROTECTION:**
 THERMAL SWITCH: 115° C, INTERNAL THERMISTOR, SELF RECOVERY
- ENVIRONMENTAL:**
 OPERATING TEMPERATURE: -30°C TO +50°C, UNRESTRICTED AIRFLOW
 STORAGE TEMPERATURE: -40°C TO +125°C AMBIENT
- MECHANICAL:**
 WEIGHT: (LBS/KG): 0.64 LBS ± 2 OZ, 0.29 KG.
 VIBRATION: MEETS SAE 1211, ASTM-D-4728 TRUCK SPECTRUM
 SHOCK: MEETS SAE 1211, ASTM-D-4728 TRUCK SPECTRUM
- SAFETY:** MEETS cUL-1012 (POWER UNITS OTHER THAN CLASS-1). FULLY ISOLATED OUTPUTS/INPUTS FROM CHASSIS
 AGENT MARKING: E466206, CE, FCC
- EMI:** GENERAL PURPOSE EMI FILTERING I/P & O/P
 FCC PART-A
- PACKAGING:**
 INDIVIDUALLY PACKAGED
 CRAFT BOX
 36X PER MASTER CARTON.

DTF13-6P TYPE CONNECTOR
 MATING CONNECTOR:
 HOUSING: DT06-6S
 SOCKET: 0462-209-16141
 LOCK: W6S



PROPRIETARY AND CONFIDENTIAL This document and the information contained within is the property of Diversified Power International (DPI), LLC and contains Confidential and Proprietary Information which may not be copied into or onto any other form or format, and may not be disclosed to any third party; and may not be used for any purpose that is contrary to its intended purpose and use without the express written consent of DPI.	TOLERANCES (UNLESS NOTED): (INCHES [MILLIMETERS]): 3 PLACES: ± .005 [.13MM] 2 PLACES: ± .03 [.76MM] ANGULAR: ± 1°	SIGNATURES DRAWN: LRB CHECKED: TDT APPROVED: TDT NEXT ASSY: N/A USED ON: N/A	DATE 7/11/2019 7/11/2019 7/11/2019	TITLE 24/48V DC-DC DUAL OUTPUT CONVERTER	
	THIRD ANGLE PROJECTION 	CAD DRAWING: DO NOT SCALE	SHEET 1 OF 1	DIVERSIFIED POWER INTERNATIONAL, LLC 414 CENTURY COURT PINEY FLATS, TN 37686 PHONE: 423-538-9002	
	SIZE C	DWG NO 10-13D020T50-02	REV 1		