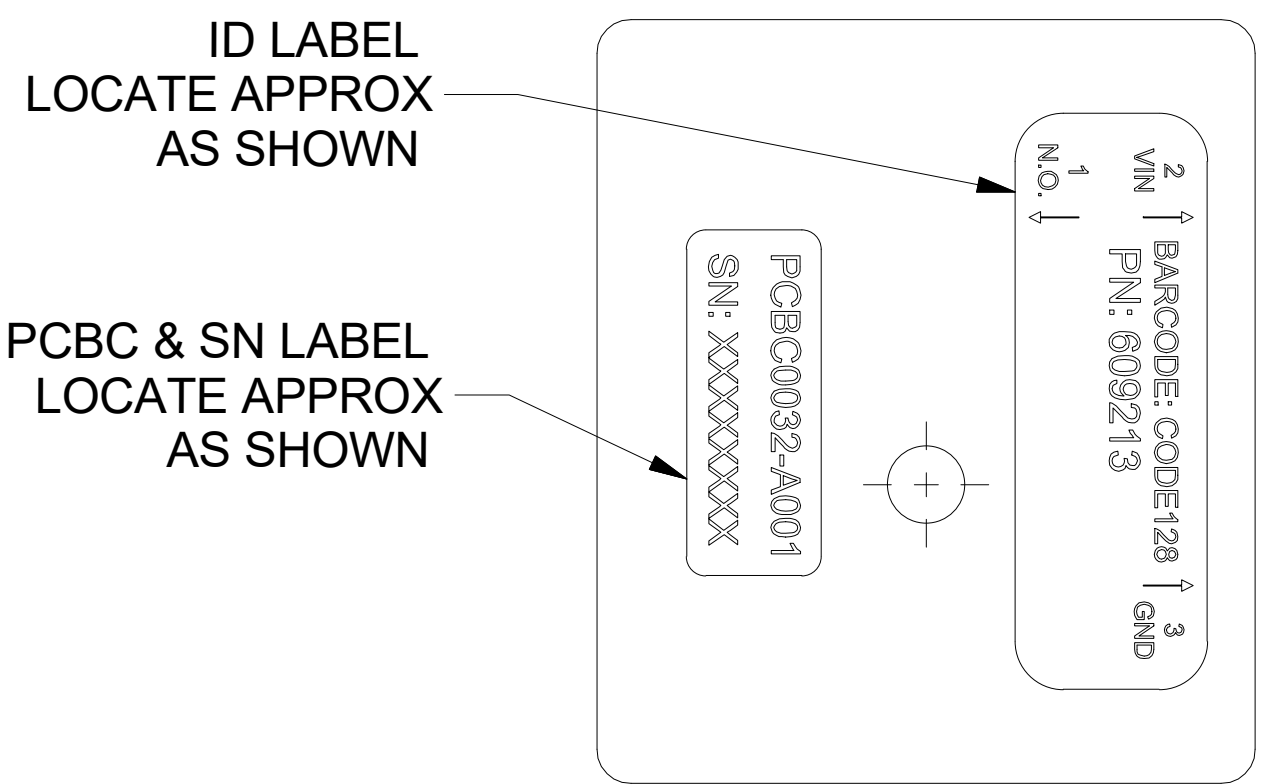
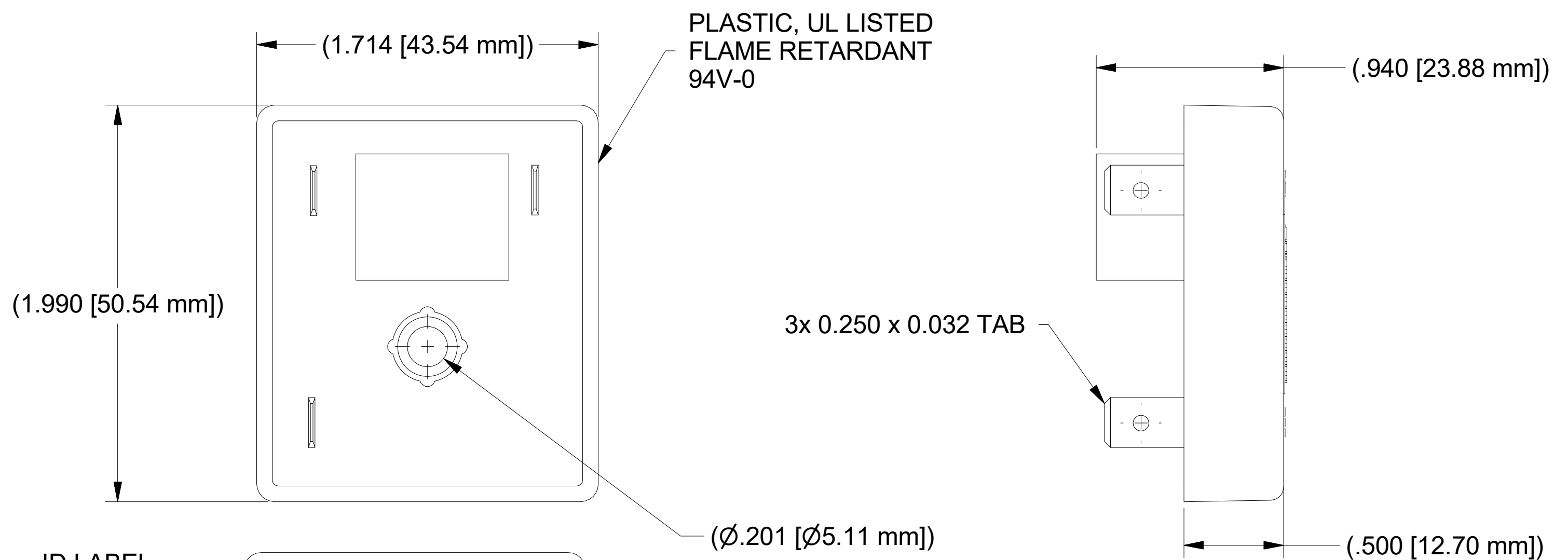
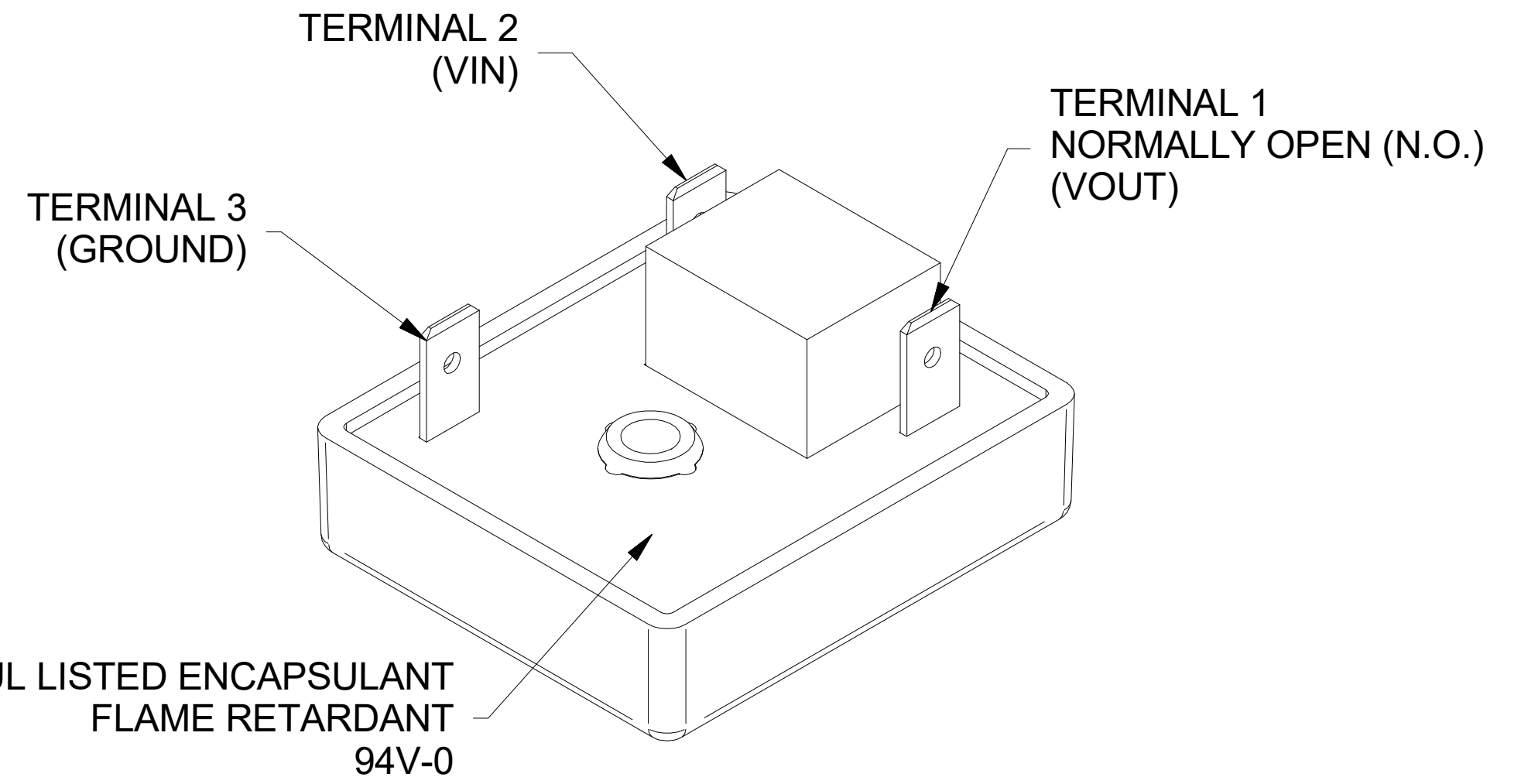


REV	REVISION DESCRIPTION	APPROVED	DATE
1	ADDED PCBC LABEL	TDT	7/26/2019
2	CORRECTED NUMBERING	TDT	12/3/2019



BACK VIEW



- NOTES:
1. MAX SWITCHED/CONTINUOUS CURRENT RATING: 10A_{dc}
 2. INPUT VOLTAGE RANGE: 8V - 16V
 3. DELAY TIME: 20 SEC +12.5% -0
 4. STORAGE TEMP: -40 TO 125°C
 5. OPERATING TEMP: -30 TO 50°C
 6. POLARITY PROTECTION: YES
 7. RELAY TYPE: TE ORWH-SH-112DM1F
CIT J123F1A12VDC.36
 8. IP RATING: IP-67
EXPOSED TERMINALS NOT RATED
 9. WEIGHT: 47.2 gm

PROPRIETARY AND CONFIDENTIAL This document and the information contained within is the property of Diversified Power International (DPI), LLC and contains Confidential and Proprietary Information which may not be reproduced in any form and may not be disclosed to any third party; and may not be used for any purpose that is contrary to its intended purpose and use without the express written consent of DPI.	TOLERANCES (UNLESS NOTED): (INCHES [MILLIMETERS]): 3 PLACES: ± .005 [.13mm] 2 PLACES: ± .02 [.5mm] ANGULAR: ± 1/2°	SIGNATURES DRAWN: TAM CHECKED: TDT APPROVED: TDT NEXT ASSY: N/A USED ON: N/A	DATE 3/18/2016 3/18/2016 1/23/2018	TITLE 20 SECOND TIMER
	THIRD ANGLE PROJECTION 	CAD DRAWING: DO NOT SCALE	SHEET 1 OF 1	DIVERSIFIED POWER INTERNATIONAL, LLC 414 CENTURY COURT PINEY FLATS, TN 37686 PHONE: 423-538-9002
	SIZE C	DWG NO 59-12VTMR20S-00	REV 2	DIVERSIFIED POWER INTERNATIONAL, LLC 414 CENTURY COURT PINEY FLATS, TN 37686 PHONE: 423-538-9002
	DIVERSIFIED POWER INTERNATIONAL, LLC 414 CENTURY COURT PINEY FLATS, TN 37686 PHONE: 423-538-9002			