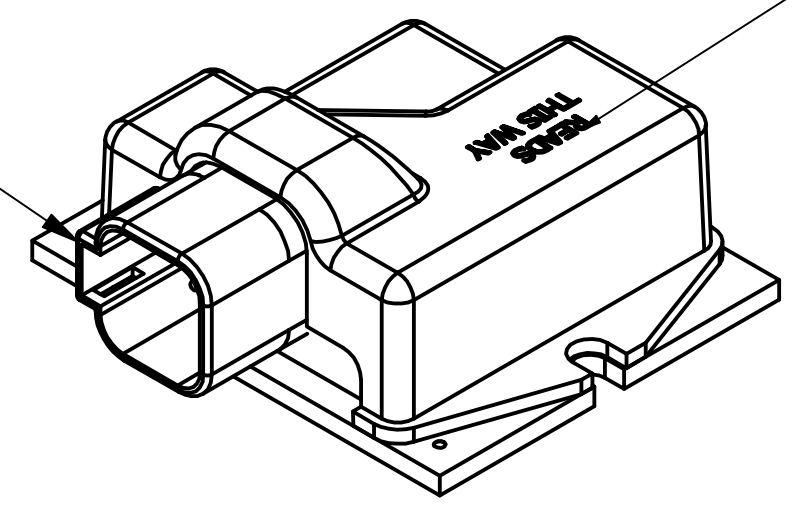


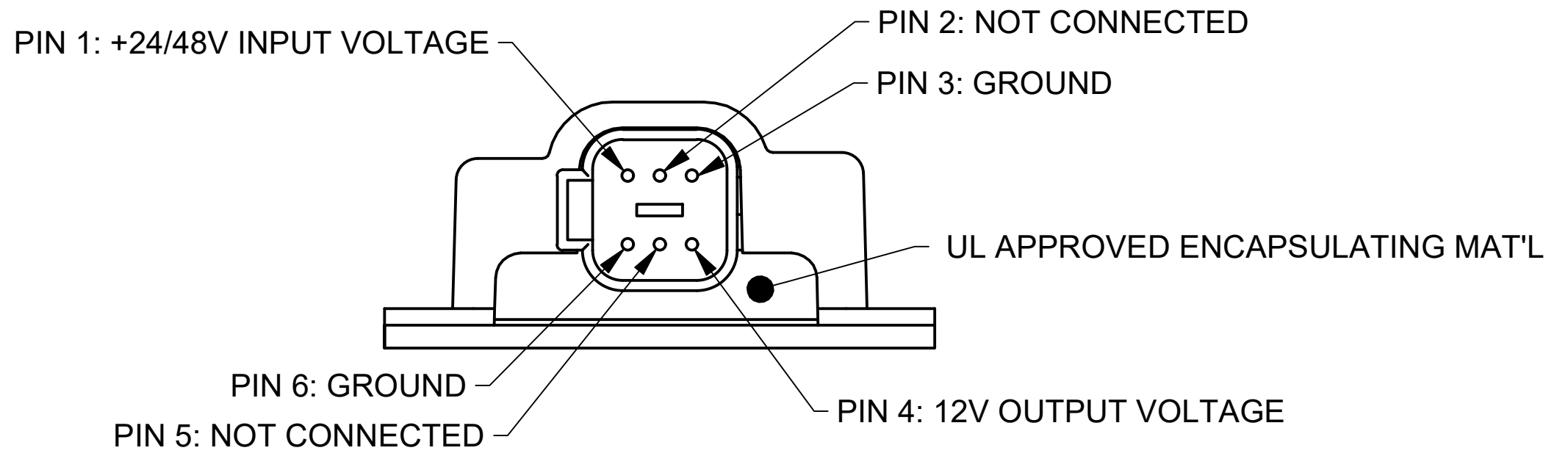
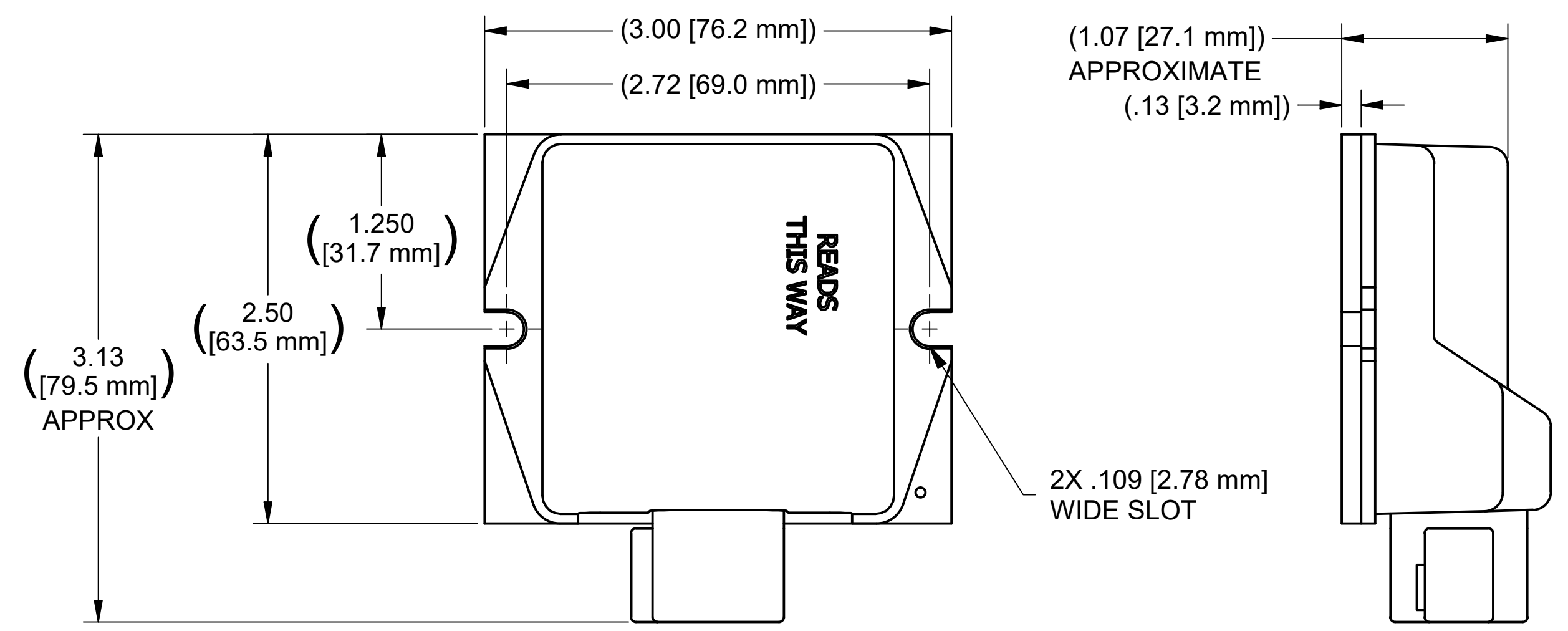
NOTES:

1. INPUT:
I/P VOLTAGE: 19 - 72 Vdc (ABSOLUTE MAX 75V)
I/P CURRENT: 5.1Adc @ 24Vdc INPUT VOLTAGE.
2. OUTPUT:
O/P VOLTAGE: 12 ± 5% Vdc
EFFICIENCY: 96.4% @ 10A @ 24V INPUT
O/P AMPS: 10 Adc (CURRENT LIMIT @ 10.8A MIN)
3. THERMAL PROTECTION:
THERMAL SWITCH: 115° C, INTERNAL THERMISTOR,
SELF RECOVERY
4. ENVIRONMENTAL:
OPERATING TEMPERATURE: -40°C TO +60°C,
UNRESTRICTED AIRFLOW STORAGE TEMPERATURE:
-40°C TO +125°C AMBIENT
5. MECHANICAL:
WEIGHT: (LBS/KG): 0.40 lbs (0.18 Kg APPROX.)
VIBRATION: MEETS SAE 1211, ASTM-D-4728 TRUCK
SPECTRUM SHOCK: MEETS SAE 1211, ASTM-D-4728
TRUCK SPECTRUM
6. SAFETY: UL/CSA
FULLY ISOLATED OUTPUTS/INPUTS FROM CHASSIS
7. EMI: GENERAL PURPOSE EMI FILTERING INPUT & OUTPUT
PER FCC PART-A.
8. ELECTRICAL PERFORMANCE ± 5% GENERAL TOLERANCE
UNLESS OTHERWISE NOTED.
9. PACKAGING:
INDIVIDUALLY PACKAGED
CRAFT BOX
36X PER MASTER CARTON.

DTF13-6P TYPE CONNECTOR
MATING CONNECTOR:
HOUSING: DT06-6S
SOCKET: 0462-209-16141
LOCK: W6S



LASER ENGRAVED ID INFORMATION:
cURus MADE IN USA
E466206
INPUT: 24-48Vdc, 5A
OUTPUT: 12Vdc 10A
MODEL: 11-13C010-03
MFR MOD: 11-13D010T50-01
S/N: XXXXXXXX



NOTES:

1. ENCLOSURE MATERIAL: PC-ABS TYPE, UL LISTED, COLOR: BLACK.
2. FINISHED PART TO BE FREE OF ALL BURRS, GREASE AND DIRT.

PROPRIETARY AND CONFIDENTIAL This document and the information contained within is the property of Diversified Power International (DPI), LLC and contains Confidential and Proprietary Information which may not be copied into or onto any other form or format, and may not be disclosed to any third party; and may not be used for any purpose that is contrary to its intended purpose and use without the express written consent of DPI.	TOLERANCES (UNLESS NOTED): (INCHES [MILLIMETERS]): 3 PLACES: ± .010 [1.26mm] 2 PLACES: ± .04 [1.0mm] ANGULAR: ± 1°	SIGNATURES DRAWN: LRB 6/19/2019 CHECKED: TAM 6/19/2019 APPROVED: TDT 6/19/2019 NEXT ASSY: N/A USED ON: N/A	DATE 6/19/2019 6/19/2019 6/19/2019	TITLE 120W 24/48V DC/DC CONVERTER DIVERSIFIED POWER INTERNATIONAL, LLC 414 CENTURY COURT PINEY FLATS, TN 37686 PHONE: 423-538-9002
	THIRD ANGLE PROJECTION 	CAD DRAWING: DO NOT SCALE	SHEET 1 OF 1	SIZE DWG NO C 11-13D010T50-01
	REV -			PHONE: 423-538-9002
	SHEET 1 OF 1			